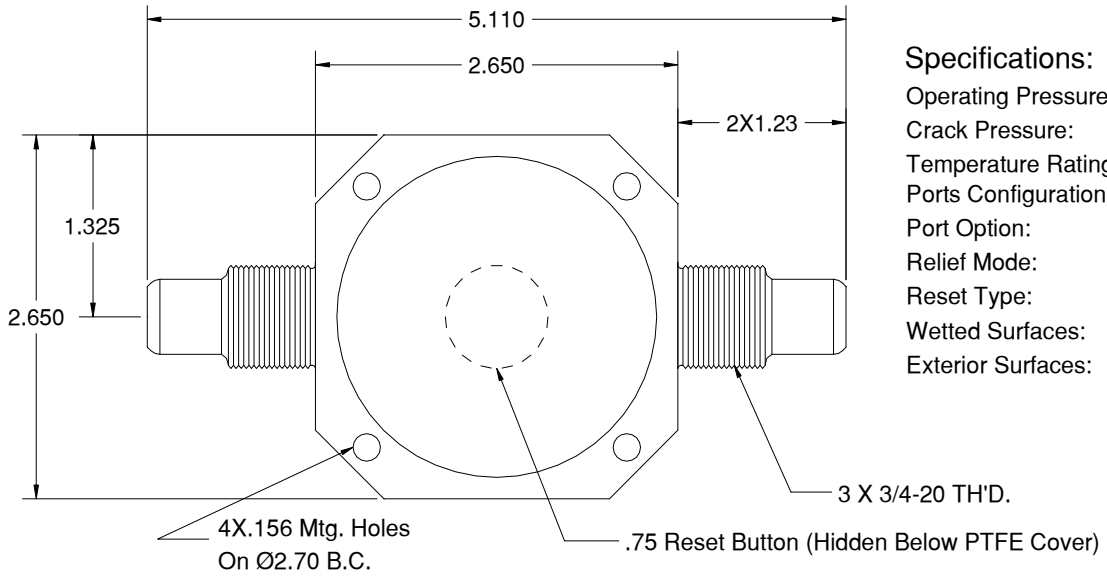
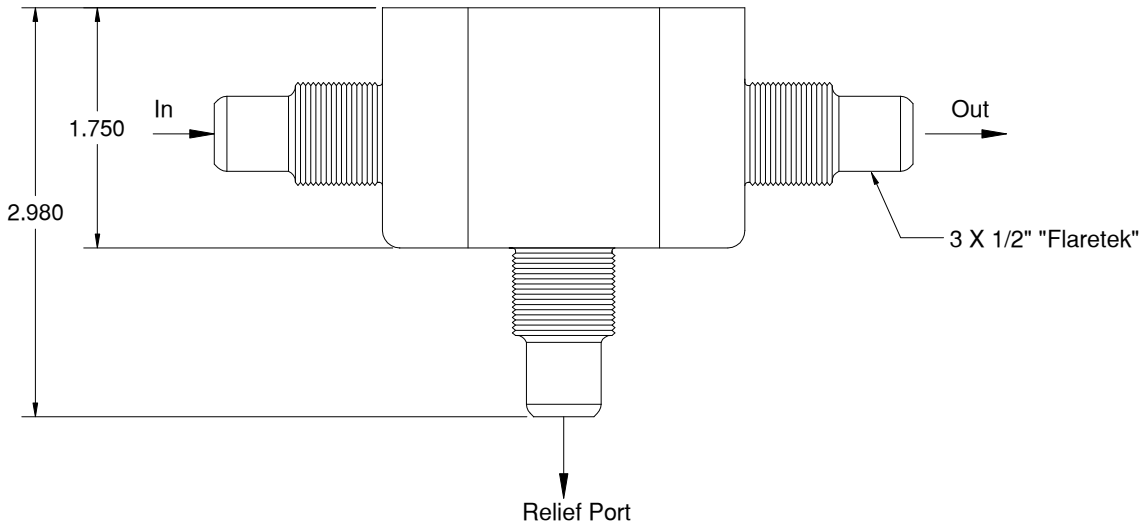


RDI ENGINEERING
P/N 6200-00
TEFLON SNAP-OPEN RELIEF VALVE
PUREPRESSURE SERIES



Specifications:

Operating Pressure:	0-50 Psig
Crack Pressure:	70 Psig \pm 5
Temperature Rating:	140°F
Ports Configuration:	Flow Thru.
Port Option:	Dead End
Relief Mode:	Snap Open
Reset Type:	Manual
Wetted Surfaces:	PTFE
Exterior Surfaces:	PTFE



FOR MORE INFORMATION CONTACT US
@ info@rdiengineering.com
U.S. Phone No. (909) 981-2444